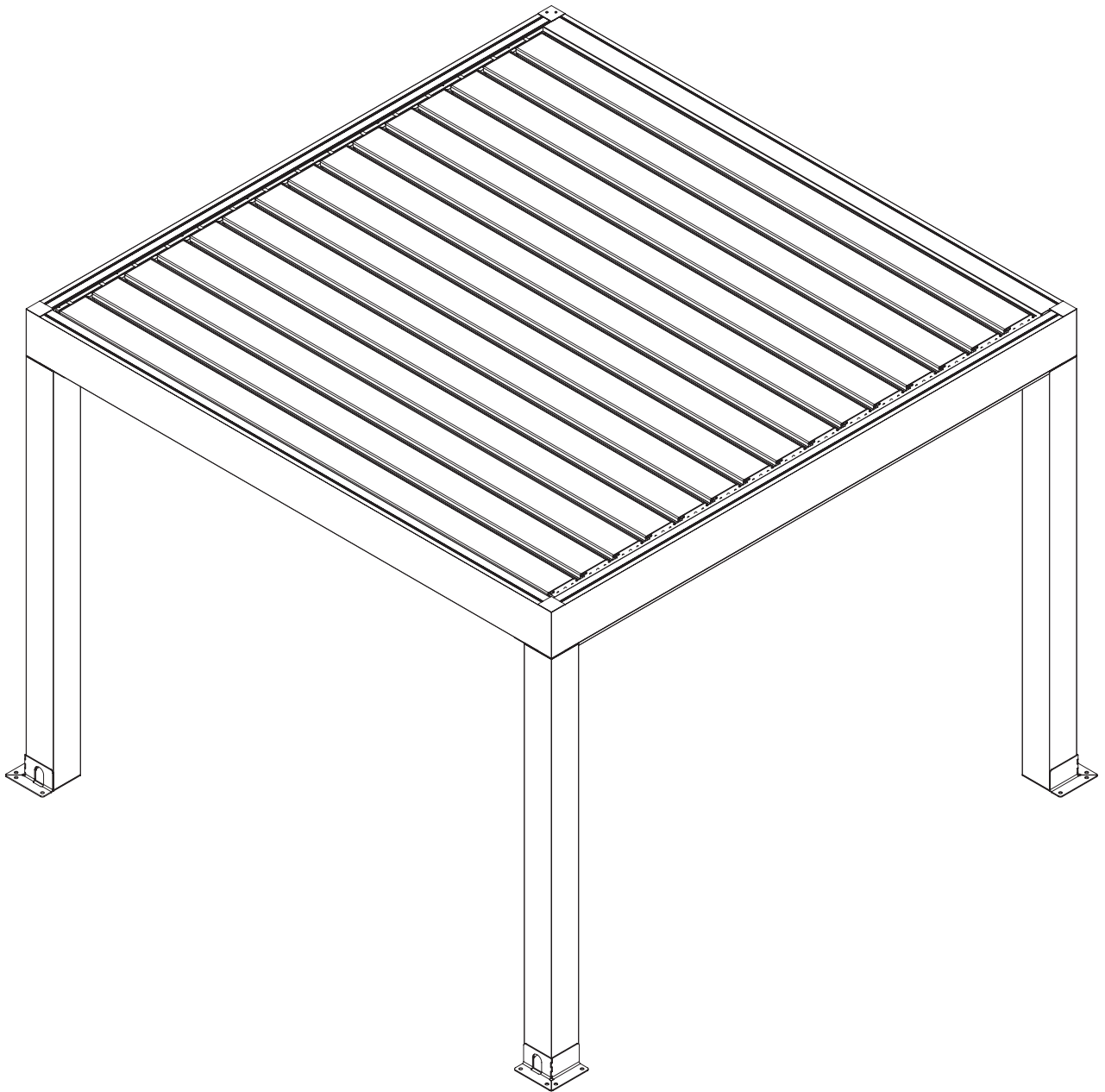
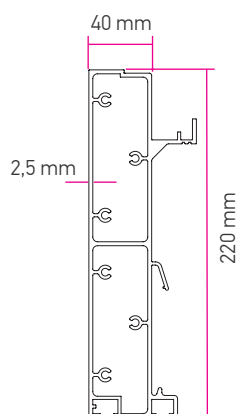


Bioclimatic Tokio

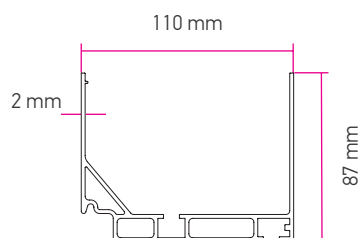
General view of the pergola.



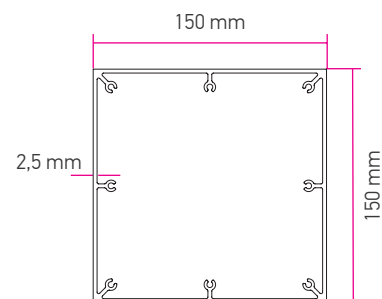
Profile cross-sections.



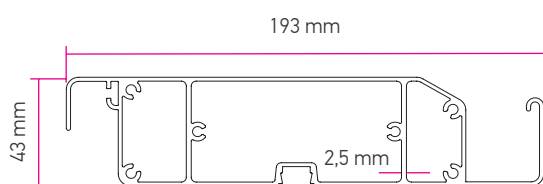
1 rafter 40X220



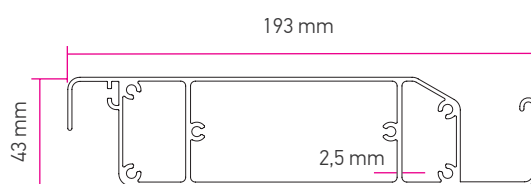
2 perimetric gutter 110X87



3 column 150X150

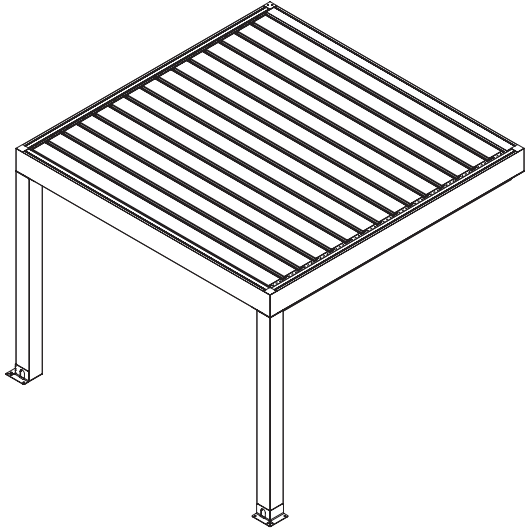


4 panel for LED lighting 193X43

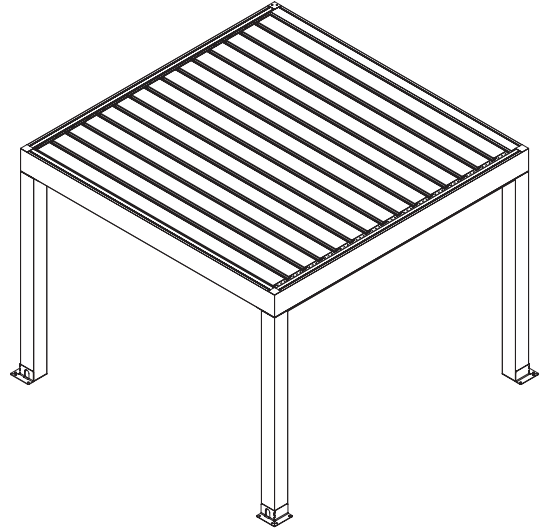


5 panel 193X43

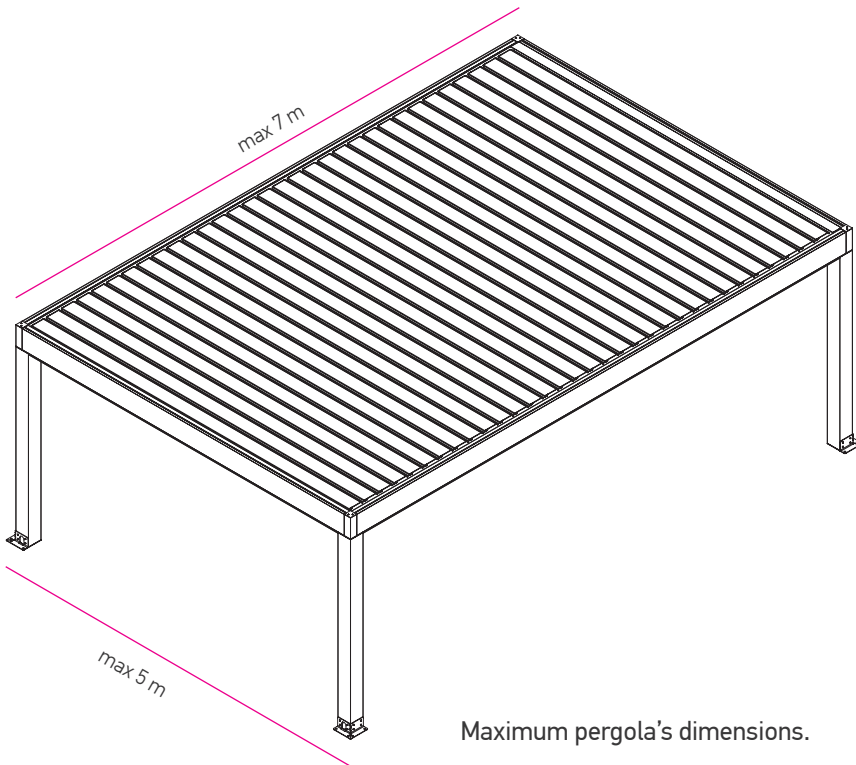
Pergola dimensions.



Wall mounted



Free standing



Maximum pergola's dimensions.

Bioclimatic Futura Configuration.

